


Section Control Kit Installation Guide

Kit: SECT CTRL Ag Leader SureStop Clutch
P/N 911-0014-000

Fits Planters with Ag Leader SureStop Clutches

Note: If your planter does not currently have section control you will need to purchase and install the recommended row unit harness supplied by Ag Leader.

Read and Follow Safety Messages

- In these instructions, you may see the heading WARNING and the safety alert symbol . They indicate a hazardous situation that, if not avoided, could result in death or serious injury. The safety messages provide information to identify a hazard associated with potential injury.
- Before installing, operating, or performing maintenance or service on any part of the system, read and understand this installation guide.
- Do not allow anyone to operate without instruction.
- Keep these instructions and all related safety information with the manuals for your machine and other implements.

If you have questions or need assistance, contact your local dealer or distributor.

Overview



A series of equipment-specific kits has been developed to enable the AC110 section/rate controller to interface with your planter's row unit harness. This kit contains the components and instructions to connect an AC110 with Ag Leader SureStop clutches.

Please read this manual thoroughly before beginning the installation.

Kit Contents

Unpack this kit and identify the required parts as shown. Kit items are referenced A, B, C etc. and those references are used in the installation steps and pictures.



REF	PART NUMBER	QTY	DESCRIPTION	PHOTOGRAPH
A	054-0189-000#	1	Interface cable - AC110 (Connects B to C)	
B	750-5006-000#	1	Section/rate controller (AC110)	

Kit Contents (continued)

REF	PART NUMBER	QTY	DESCRIPTION	PHOTOGRAPH
C	054-0190-000#	2	Extension cable (Connects [extends] A to D - order additional cables if necessary)	
D	054-0191-000#	1	Interface cable - planter/whisker switch (Connects A [through C], to planter's row unit harness and whisker switch I)	
E	054-0144-000#	1	Power cable (Connects to B [with A])	
F	051-0067-005#	1	Input/output splitter ('Y') cable (Connects A to MAX 'white cable')	
G	054-0185-000#	1	Power switch cable (Connects to A)	
H	051-0281-000#	1	Switch cable (Connects A to MAX 'white cable')	
I	051-0288-000#	1	CAN loop back connector (terminator) (Connects to A)	
J	075-0054-000	1	Whisker lift switch kit/assembly (Connects to C)	
K	677-2001	20	Tie strap, 11" heavy duty	

Connections and Installation

1. Standard AC110 connections.

NOTE:

(i) The text and figures in this section detail the connections that you will need to make. Exactly when you make the connections depends on individual installations and your working preferences. See “Appendix - AC110 Cables and Connections”, page 5.

(ii) Locate the AC110 suitably in the cab and route connected cables in/out through the back of the cab.

- a. Install the loop back connector (terminator) **I** in the appropriate connector on interface cable **A** then connect **A** (main plug and power connectors) to AC110 **B** (red to + positive, black to - negative). Do not refit terminal nuts yet.

Install power cable **E** (‘non-fused’ end) on AC110 **B**. Refit the terminal nuts and tighten the power connections (Figure 1a).

- b. Using the splitter (‘Y’) cable **F** (but see note following), tie into the existing CAN connection. For example, connect **F** between the 7-pin CAN connector labeled “ECU” on the Outback MAX cable (with the white main connector) and the 7-pin CAN connector on interface cable **A** (Figure 1b).

NOTE:

You can use splitter cable **F** as an extension cable between interface cable **A** and the CAN connection “ECU” on the (white connector) Outback MAX cable. You can also use cable **F** to connect the switchbox if installed (Figure 1b).

- c. Connect power switch cable **G** to the 4-pin connector on interface cable **A** (Figure 1c).
- d. Connect switch cable **H**’s connector (labeled “FOOT” – see note following) between interface cable **A**’s connector labeled “SWITCH” and the MAX white cable’s connector labeled “SWITCH” (Figure 1c).

NOTE:

The connector label “FOOT” has no significance in this installation.

2. Connect the AC110 to the planter’s row unit harness.

- a. Install extension cable(s) **C** between interface cable **A** (routed from the cab) and planter/whisker switch cable **D** (Figure 2a, left image with inset and top images).
- b. Disconnect the planter’s row unit clutch harness from any existing controller cabling and reconnect it to the branch cables of cable **D** (Figure 2a, lower image with inset—only one planter connector shown).

NOTE:

If you are using only one of the two branch cables, weatherproof and dustproof the unused one.

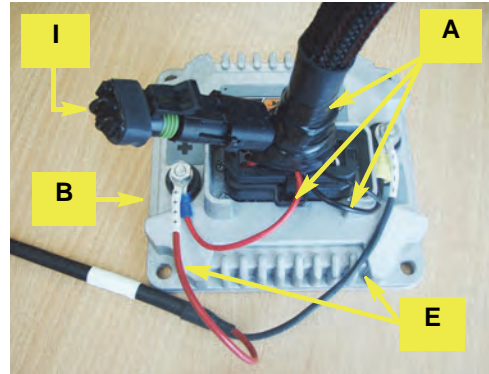


Figure 1a: Connections at AC110

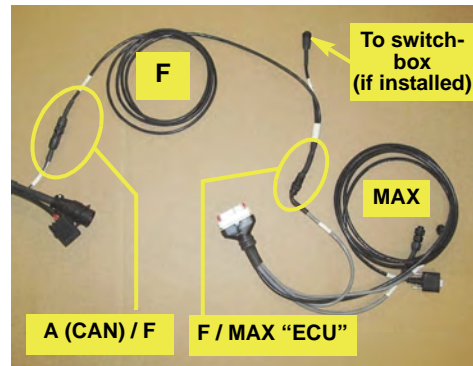


Figure 1b: Splitter cable connections

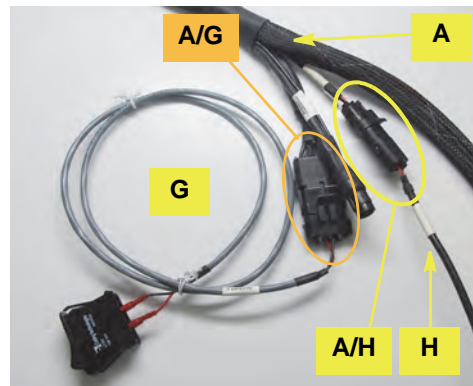


Figure 1c: Connecting the power switch and ‘Switch’ cable

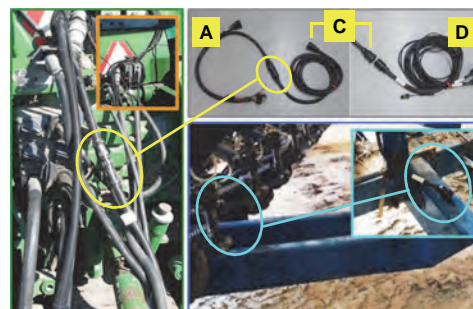


Figure 2a: Interface cables connected

2. **Connect the AC110 to the planter's row unit harness (continued).**
- c. Mount whisker lift switch kit/assembly **J** on the planter so that (Figure 2b - *example only, not this installation*):
 - When the planter is not in the working position (raised), the whisker switch is deflected by some part of the planter (so is 'Off').
 - When the planter is in the working position (lowered) the whisker switch is not deflected by some part of the planter (so is 'On').
- d. Connect the whisker switch 2-pin connector to the corresponding connector on interface - planter/whisker switch cable **D**.
- e. If your AC110 connections are not yet complete, refer to **1. Standard AC110 connections** on page 3.
- f. Connect the fused end of power cable **E** to the machine's battery.
- g. Secure all cabling with tie straps **K**.

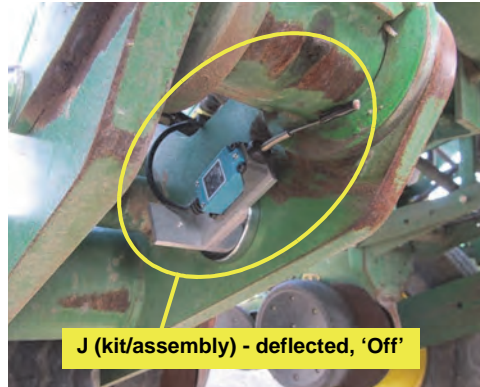


Figure 2b: Example whisker switch installation

© AgJunction Inc. (2014). All rights reserved.

Appendix - AC110 Cables and Connections

