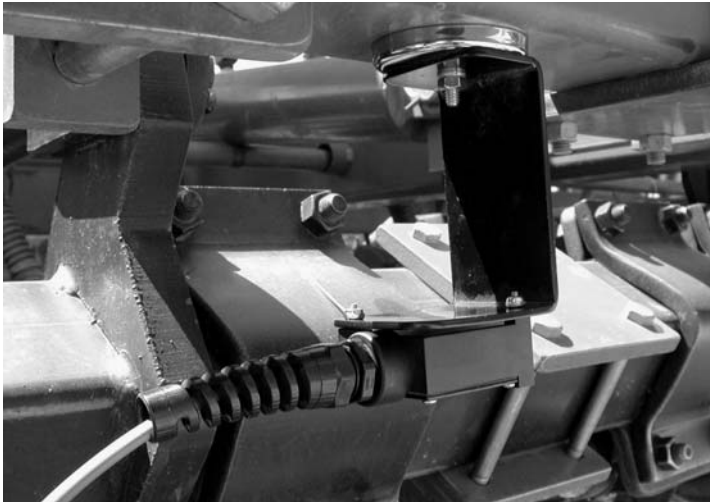


Implement Run/Hold Switch Kit

P/N: OBK-360-IRH



Overview

Install this kit on any implement that raises and lowers to automatically start and stop the acre counting in the Outback 360.

Kit Contents

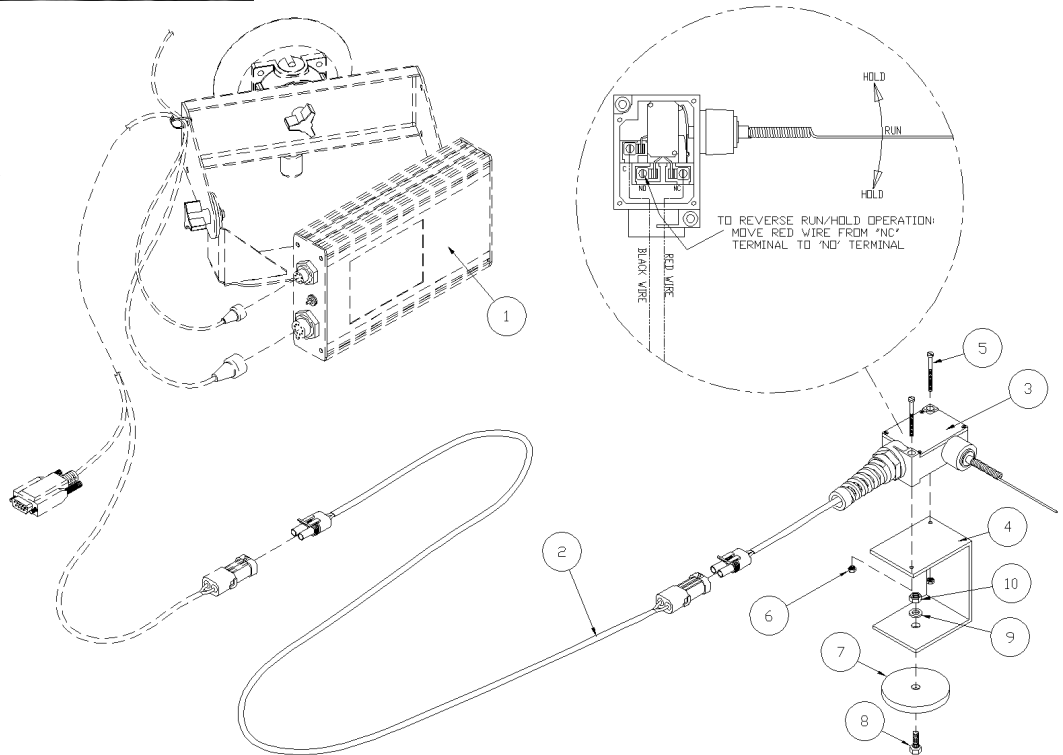
The implement run/hold switch kit includes a magnetic mounted whisker switch, a 22' extension cable, and installation instructions. Additional 10' or 22' extensions cables are available in the parts catalog.

Installation

Assemble the switch to the bracket, as illustrated, using the #6 screws and lock nuts provided. Magnetically attach the switch assembly to the implement frame in such a manner that the switch will be tripped when the implement is raised.

Route the two wire extension cable along implement frame towards the cab and insert mating connector into the Outback 360 remote run/hold switch input.

Cycle the implement raise/lower to verify switch trips (HOLD) in the raise position and the switch releases (RUN) in the lower position. To reverse run/hold operation, open the switch junction box and move red wire from 'NC' terminal to 'NO' terminal.



REF.	P/N	DESCRIPTION	QTY.
1	OBK-360	Outback 360 Mapping System	
2	EXT2/14X22-OBK	Wiring Extension - 14ga. x 2wire x 22ft	1
	EXT2/14X10-OBK	Wiring Extension - 14ga. x 2wire x 10ft (optional)	
3	AB422-OBK	Micro Switch w/Wiring Connector, Normal Closed	1
4	AB425-OBK	Mount Bracket, Run/Hold Micro Switch	1
5	B#6.114SS-OBK	Bolt, #6-32 x 1-1/4, Slotted Fillister head, S.S.	2
6	LN#6NYLSS-OBK	Nut, Nylock - #6-32, S.S.	2
7	69225-OBK	Magnet, Mounting - 90# pull	1
8	B14.34-OBK	Bolt, 1/4NC x 3/4 Gr5 ZP	1
9	LW14-OBK	Lock Washer, 1/4" ZP	1
10	N14-OBK	Nut, 1/4" ZP	1