

# Sierra Wireless AirLink GX400 Modem Installation Guide



This guide provides the following information:

- Parts included in your kit
- Front/rear panel overview (LEDs, ports, connections)
- Steps for installing the antennas and the modem and connecting the cables
- Contact and Technical Support information (see bottom of this page)

**Please read this manual thoroughly before beginning the installation.**

## Obtaining Help for Your AgJunction Product

Contact your local dealer for technical assistance.  
To find the authorized dealer near you:

Phone: (800) 247-3808  
Email: [info@agjunction.com](mailto:info@agjunction.com)

*Enter your dealer information here for quick reference:*

Name: \_\_\_\_\_

Phone: \_\_\_\_\_

Email: \_\_\_\_\_

If you need to contact AgJunction Technical Support:

Phone: (800) 247-3808  
Email: [support@agjunction.com](mailto:support@agjunction.com)

## Modem Overview

This section lists the parts included with your modem and describes the LEDs, ports, and connections on the front and rear of the modem.

### What's Included with Your Modem?

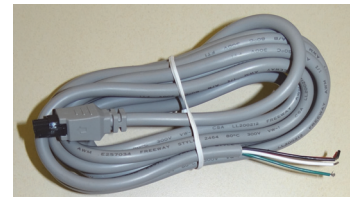
Your modem kit includes the following items at right:

- GX400 modem
  - WiFi version has an antenna port on the front of unit (as shown at right) and includes a detachable antenna
  - Non-WiFi version has no antenna port on the front of the unit
- DC power cable (4-pin power connector to 4-wire unterminated)
- GPS / cellular modem antenna

The DC power cable includes four unterminated wires. You will only use three of the wires in your installation (you will not use the green wire). See "Connecting the Cables" on page 4.



Modem



Power cable



GPS / cellular modem antenna

## Front Panel



*Note: Non-WiFi version shown at left. WiFi version includes antenna port on front of unit with detachable antenna—see page 1 for photos of port.*

The following are located on the modem's front panel:

Reset button	Press to reset the modem using its current settings. Press and hold for 10 seconds to reset the modem to its factory defaults. When you press the reset button all LEDs display solid red.
LEDs	Modem status indicators
	Network
	Red (solid) No cell network
	Red (flashing) Attempting to connect to cell network
	Yellow (solid) Cell network found, modem attempting to connect to network
	Yellow (flashing) Cell network not available
	Green (solid) Connected to the cell network
	Green (flashing) Device in roaming mode
	Signal (cellular network's signal)
	Red (solid) Bad signal
	Red (flashing) No signal
	Yellow (solid) Marginal signal
	Green Good signal
	Activity
	Off No activity of transmitting or receiving
	Power
	Off No power or input voltage detected $\geq 36$ VDC or $\leq 9$ VDC
	Green (flashing) Radio is transmitting or receiving
	Red (solid) Device is not operational (Low power mode)
	Yellow (solid) Device is entering low power mode or system is booting
	Green (solid) Device is connected to correct voltage and operating correctly
	Green w/ yellow flash Device had GPS fix

## Rear Panel



Your setup will use only the following ports on the rear panel.

Cellular port	Connect cellular antenna cable
GPS port	Connect GPS cable antenna
Diversity/AUX port	Not used in this installation
USB port	Connect directly to laptop via USB cable to configure modem (AgJunction does not provide the cables or software for this functionality—contact Sierra Wireless for more information)
Serial port	Connect directly to laptop via serial cable to configure modem (AgJunction does not provide the cables or software for this functionality—contact Sierra Wireless for more information)
Ethernet port	Connect AgJunction Link or other components for communication to this port
DC Power	Connect gray power cable

## Mounting the Antennas

When planning the mounting location for your antennas (GPS and cellular), make sure the antennas:

- Have an unobstructed view of the sky
- Are in an area free from moving objects
- Are at least two feet from a transmitting radio antenna (such as for a two-way or business band radio)

*Note: If using a diversity antenna, make sure there is at least three feet between the cellular antenna and the diversity antenna.*

To mount each antenna:

1. Clean and dry the vehicle surface where you will attach the antenna mounting plate.
2. Remove the paper backing from the adhesive on the back of the mounting plate.
3. Position the mounting plate and press down hard for proper adhesion.
4. Attach the antenna to the antenna mounting base.
5. Place the magnetic mounted antenna on the plate.

## Mounting the Modem

*Note: AgJunction does not supply the mounting hardware for the modem.*

The modem case is designed for use in extreme environments. If you will use the modem in extreme environments, make sure you use cables designed and specified for this use to avoid cable failure.

Adhere to the following when mounting the modem:

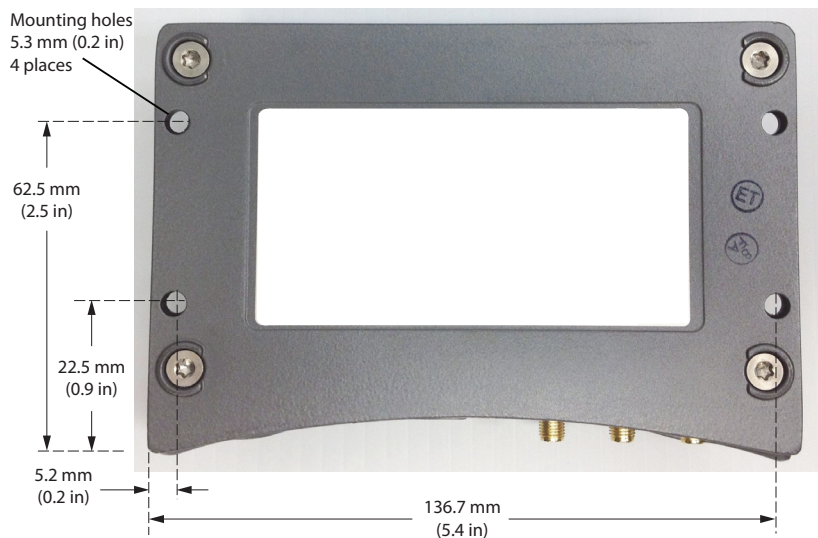
- You have sufficient room to install and, if necessary, replace cables
- You can easily view the front panel LEDs
- The modem has adequate airflow for cooling
- The modem is free from direct exposure to the elements, such as sun, rain, and dust
- The modem is securely mounted so as not to come loose or be damaged by other equipment



*AgJunction recommends you ground the modem case or modem mounting bracket to protect against electrostatic discharge. For example, ground the case or mounting bracket to the battery or power source negative terminal using a grounding strap under one of the mounting screws.*

To mount the modem:

- Using the four mounting holes shown at right, securely fasten the modem in your preferred location.



# Connecting the Cables

Use the diagram at right to connect the cables to the modem.



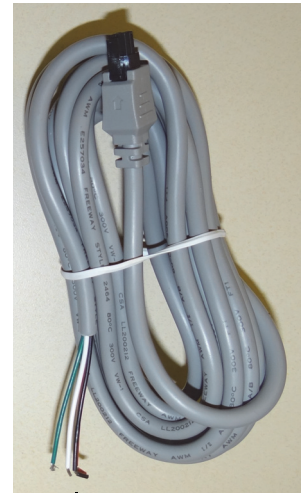
Cellular antenna cable

GPS antenna cable

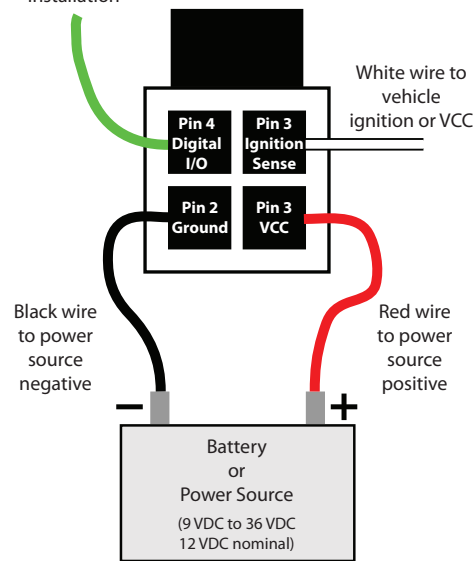
Gray power cable to DC Power port

Cellular antenna

GPS antenna



Green wire not used in this installation



Wire colors shown at left correspond to wire colors of power cable shown above right