

eDriveXC Installation Notes

These (temporary) eDriveXC Installation Notes are supplementary to the **Automated Steering Kit Installation Guide** (or **Steer Ready Kit Installation Guide***—see A1 below) supplied with your eDriveXC kit (example shown at right). Those eDriveX installation guides provide parts lists and instructions that are still largely applicable to eDriveXC installations but there are differences. These installation notes detail those differences.



⚠ WARNING:



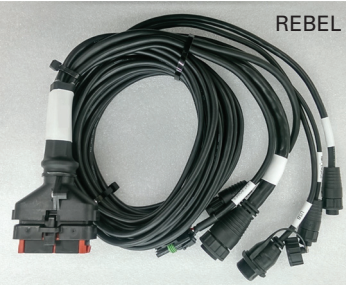
Heed all relevant warnings in the (full) installation guides just as they are provided.

A. Table Differences

1. **The Kit Contents - Steering Hydraulics/Wheel Angle Sensor/Steering Wheel Switch** tables (*where applicable) are unchanged. All items in those tables are supplied and used in your eDriveXC installation.
2. **Kit Contents - Electronic Control Unit:** While all the items in this list are applicable to an eDriveX installation (for the specific machine makes and models), not all parts are applicable to your eDriveXC installation (for the same makes and models). See **B. Kit Item Differences** following.

B. Kit Item Differences

Note: Where alternative, equivalent cables are supplied, you must use the supplied alternatives. Automated steering will not be achieved if the wrong cables are used.

Part Number	Description and comments	Photograph
806-1044-000	Controller (ECU - eDXC) Replaces ECU eDriveX 806-1031-000, (usually) EI	
051-0377-000 or 050-0016-01	ECU main cable (MAX/STX)* or ECU main cable (REBEL)* *Your kit will include one of these cables—either cable replaces eDriveX main cable 051-0226-000, EA	 

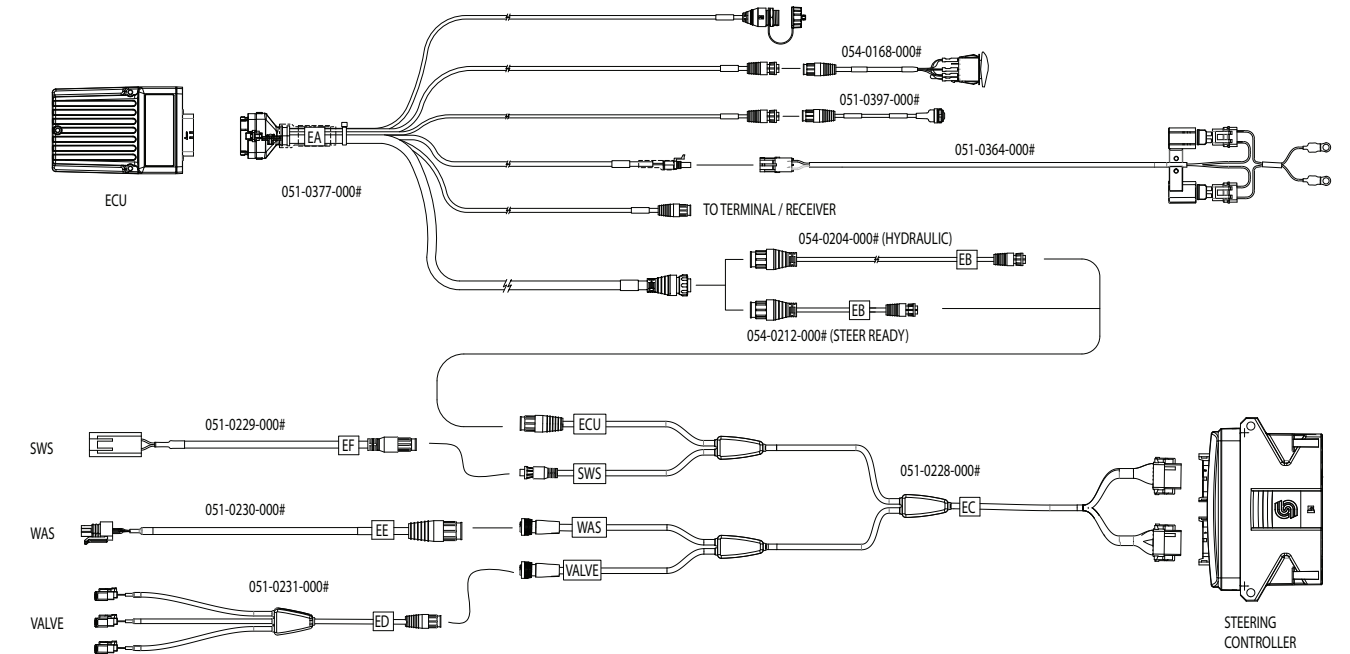
Part Number	Description and comments	Photograph
051-0364-000	Power cable, 4.5 m Connects ECU main cable to battery	
054-0204-000	Steering controller adapter cable (long - hydraulic and ESi machines only)	
054-0212-000	Steering controller mini adapter cable (short - steer-ready machines only) (Either) replaces steering controller extension cable 054-0115-000, EB	
051-0397-000	Steering remote engage ('RMT' - new cable) Engages auto-steering system by button push	
054-0168-000	3-position power switch (can mount using 640-0180 or 640-0177). Replaces power switch 054-0117-000, (usually) EG	
640-0180-000	MAX/STX Switch bracket (mount 054-0168, if applicable/necessary). Supplied with all kits.	
640-0177-000	Switch bracket (mount 054-0168, if applicable/necessary). Supplied with AC110 interface kits only (has extra power switch hole—for the AC110).	
607-0023-01	REBEL Switch bracket (mount 054-0168, if applicable/necessary).	

C. Installation Procedures

- The installation procedures for the automated hydraulic steering items (non steer-ready machines), and the wheel angle sensor and steering wheel switch items (when applicable) are unchanged for eDriveXC installations.
- For the **Installation - Electronic Control Unit (ECU)** section, all instructions apply except:
 - Use adapter cable 054-0204 (hydraulic installations) or 054-0212 (steer-ready installations) instead of 054-0115 (EB).
 - Use new switch 054-0168-000 with:
 - MAX/STX: either 640-0180-000 or 0177 instead of 054-0117 (EG) with 726-1093 (EGa)
 - REBEL: 607-0023-01 instead of 054-0117 (EG) with 726-1093 (EGa)
 - Mount the ECU against the face of the floor bracket 640-0091 (or side bracket 640-0090) as shown for eDriveX. The eDriveXC ECU has only one connector socket (eDriveX having two) so mount the ECU with its single connector socket in the same direction as the two sockets on the eDriveX.

D. eDriveXC Connections

MAX/STX



REBEL

