

# Installation Guide

Installation Kit: 911-6107-10

---

## Combines:

### John Deere

9400	9650CTS	C670
9410	9650STS	CTS
9450	9660STS	CTS II
9500	9670STS	T550*
9510	9750CTS	T560*
9550	9750STS	T660*
9600	9760STS	T670*
9610	9770STS	W540*
9650	9780CTS	W550*
9560STS	9860STS	W650*
9570STS	9870STS	W660*

\* 2011 and older models

---

## Swathers:

### John Deere

4890  
4895  
4990  
4995  
A400  
D450  
R450

---

**Sprayers:****Ag Chem**

554  
664  
854  
864  
874  
1064  
1074  
1074C

**Apache**

760  
780  
790  
850  
890 Plus  
1000  
1200  
1280

**GVM**

1146T  
5185  
6185  
6215  
8275

**Miller**

A75  
G40  
G75  
NX  
NX2P  
2200-ET  
2200HT  
2200T  
2200T-SS  
2275HT  
3304  
3654  
4140  
4215  
4275  
4315  
4365

**Redball**

7830

**Vector**

300

# Introduction

---

The procedures outlined in this guide provide the basic installation procedure for the ESi<sup>2</sup> on the machines specified on the front cover of this guide. If you do not see your machine listed, contact customer support for further instruction. The kit components and corresponding install instructions are designated for each applicable machine make and model and may not be used on undesignated machine models.

## **Review Installation Kit Contents**

Kit contents are outlined in the ESi<sup>2</sup> installation section on pages 8 and 9. Read all applicable installation instructions for your machine's model and ensure that all required kit components are present before beginning the installation.

**NOTE:** Due to manufacturing processes outside of Outback Guidance's control, the installer may have to adapt this kit to your distinct situation.

## **Read and Follow All Safety Messages**

- Refer to the safety manual for the machine that the ESi<sup>2</sup> is being installed on for operating age and precautions.
- Prior to installing and operating the ESi<sup>2</sup>, read and understand all safety precautions as outlined in this guide
- Store this guide and all related safety information with related machine manuals for future reference.

## **Safety Information and Warnings\***

- ESi<sup>2</sup> is NOT designed to replace the machine's operator and is designed as a driving aid for use in precision agriculture applications.
- ESi<sup>2</sup> is NOT intended for use on roadways and should remain disengaged at all times when traveling on roadways.
- ESi<sup>2</sup> does NOT control the speed of the machine and a human operator is required to manually maintain a safe operating speed.
- ESi<sup>2</sup> does NOT avoid obstacles. To prevent human, machine and property injury a human operator is required to operate the machine at all times.
- Do NOT allow anyone to operate without instructions.
- At all times the driver is fully responsible for the safe operation of the vehicle.

\* The safety warnings contained in this installation guide are not meant to be an exhaustive list of potential hazards.

# Introduction

---

- To ensure peak performance, ESi<sup>2</sup> should only be installed after a thorough machine inspection has been conducted. The contents of this kit and ESi<sup>2</sup> are not intended to replace preventative and or needed maintenance. To avoid bodily and machine injury, follow the machine preparation checklist below:
  - ⇒ Inspect steering linkage: Machine should drive in a straight line without manual correction
  - ⇒ Turn off machine and power-off all electronic gauges, monitors and external devices when installing or performing maintenance on the ESi<sup>2</sup>
  - ⇒ Park machine on a clean and level surface
  - ⇒ Lower all implements and headers to the ground
  - ⇒ Apply the parking break and chock wheels
  - ⇒ Inspect any drilling and/or cutting sites to ensure no electrical wiring damage will be incurred



# Machine Preparation

---

Unscrew the steering wheel center cap to gain access to the steering wheel nut.

Remove and **SAVE** the nut as it will be used later in this installation.

Following the manufacturer's recommended procedure remove the steering wheel.

***NOTE: Consult your equipment dealer if you are unsure of the correct procedure for removing the steering wheel.***



Remove the 2 phillips head screws, one on each side of the column.



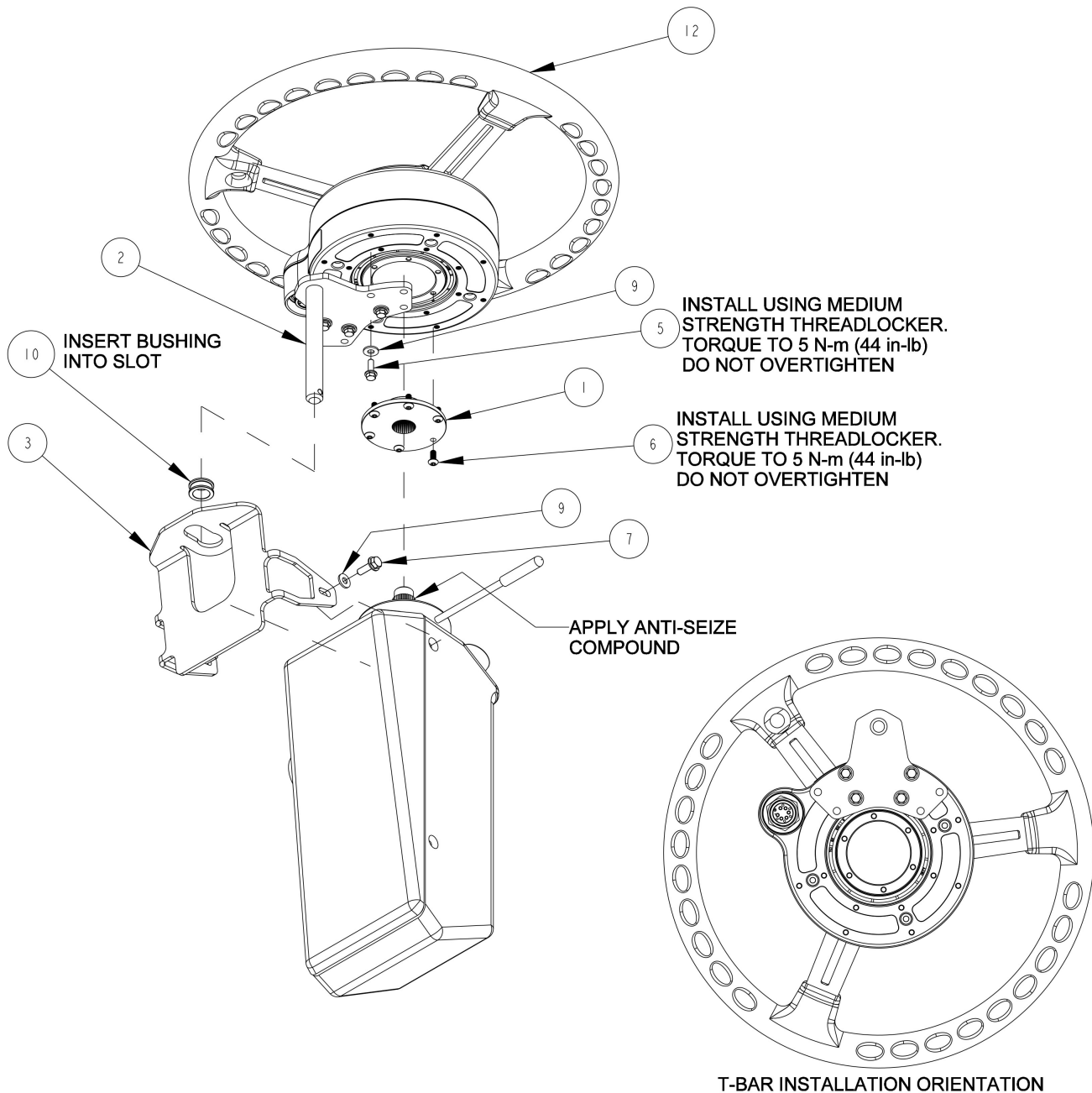
# Machine Preparation

---

Steering column is ready for ESi<sup>2</sup> wheel installation



# ESi<sup>2</sup> Installation

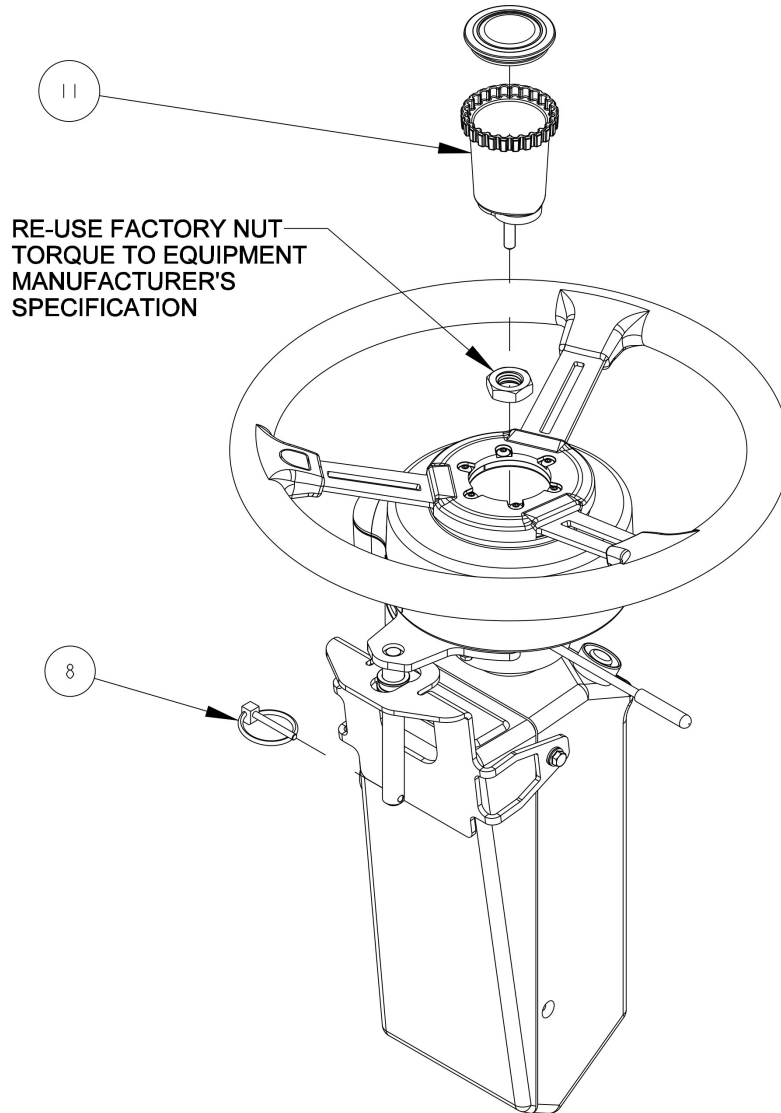


## ASSEMBLY INSTRUCTIONS:

1. PRE-ASSEMBLE SPLINE ADAPTER AND T-BAR TO WHEEL MOTOR.
2. ASSEMBLE THE BRACKET FLAT AGAINST THE STEERING COLUMN AND TIGHTEN THE SCREWS ATTACHING THE BRACKET TO THE COLUMN.
3. INSERT BUSHING INTO SLOT IN BRACKET.
4. PLACE ASSEMBLY ON STEERING SHAFT AND RE-INSTALL STEERING SHAFT NUT.
5. INSTALL TELESCOPING ACTUATOR KNOB.
6. INSTALL RETAINING PIN IN T-BAR.
7. ROTATE THE WHEEL A FULL TURN TO ENSURE THAT THERE IS NO INTERFERENCE BETWEEN THE BRACKETS AND SPLINE ADAPTER, OR ANY MOVING PARTS AND MACHINE CONTROLS.



# ESi<sup>2</sup> Installation



ITEM	QTY	PART NUMBER	DESCRIPTION	NOTES
1	1	604-0074-10	SPLINE ADAPTER- ESI2, 36T x .875 MAJOR x .180/.870 OFFSET	
2	1	640-0187-10	T-BAR, EXTENDED, ESI2	
3	1	640-0188-10	ANTI-ROTATION BRACKET, ESI2, JD A400, 9500	
4	1	675-0126-000	LOCTITE 242 MEDIUM STRENGTH THREADLOCKER	NOT SHOWN
5	4	675-1348-10	SCREW, M5-0.8 X 16mm, HEX FLANGE	
6	6	675-1351-10	SCREW, M5-0.8 X 12mm, BUTTON HEAD	
7	2	675-1352-10	SCREW, M6-1.0 X 20mm, HEX FLANGE	
8	1	676-0037-000	RETAINING PIN	
9	6	678-1148-10	WASHER, #12 SAE .250 ID X .562 OD	
10	1	699-0027-01	BUSHING, SPHERICAL	
11	1	720-0080-10	TELESCOPING ACTUATOR KNOB ASSEMBLY, M8, ESI2	
12	1	910-4024-10	ESI2 ELECTRIC STEERING WHEEL	

# ESi<sup>2</sup> Installation Completed

---

ESi<sup>2</sup> wheel successfully installed



## Install Completion Checklist

---

- Ensure steering wheel turns freely and anti-rotation brackets do not contact the spline adapter.
- Check, and if needed, tighten anti-rotation brackets to eliminate excess movement. Loose anti-rotation brackets can cause poor steering performance.
- For steering ECU installation instructions please refer to the ECU installation guide that came with your installation kit.